


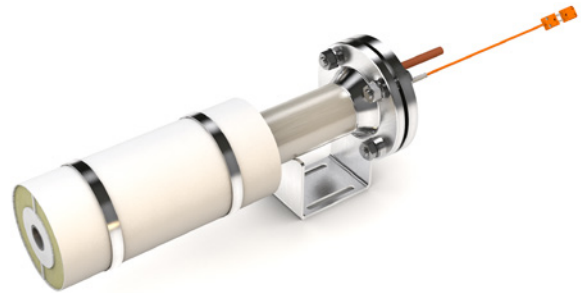
## KANTHAL® FLOW HEATER KFH2-03-230 HEATING GASES UP TO 1100°C

### TECHNICAL SPECIFICATION

#### SPECIFICATIONS

##### GENERAL

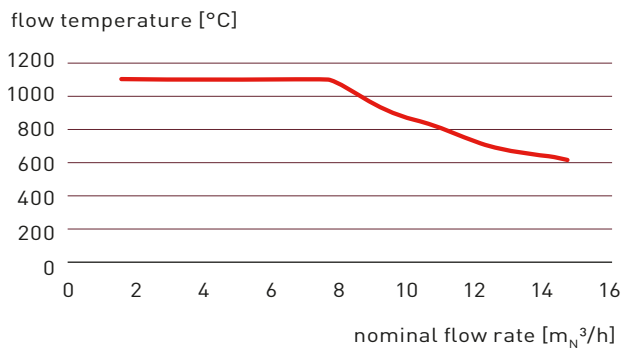
Model	KFH2-03-230		
Article Number	DFH100105 / DFH100106		
Directive	Low Voltage Directive 2014/35/EU		
 European Community	DIN EN 60519-1		
	DIN EN 60335-1		
Usage ambient temperature	0...40 °C		
	32...104 °F		



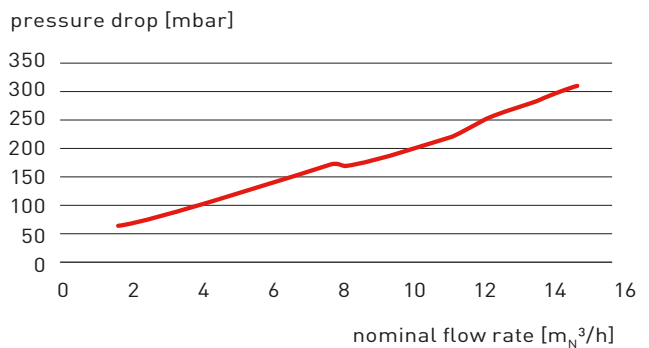
##### FLOW AND HEAT DETAILS

Gases and max. outlet temperature	Air (dry, clean)	1100 °C	2012 °F
	Nitrogen	1000 °C	1832 °F
	Argon	900 °C	1652 °F
Maximum inlet temperature		50 °C	122 °F
Nominal flow rate (air)	9.6 kg/h	8 m <sup>3</sup> /h	133 slm    4.7 cfm
Minimum flow rate (air)	1.9 kg/h	1.6 m <sup>3</sup> /h	26.7 slm    1 cfm
Maximum flow rate (air)	19.2 kg/h	16 m <sup>3</sup> /h	266 slm    9.4 cfm
Pressure drop (at nominal flow rate)	17 kPas	170 mbar	2.5 psi
Maximum operating pressure	150 kPas abs	1,5 bar abs	22 psi abs


##### OUTLET TEMPERATURE IN CLEAN AIR

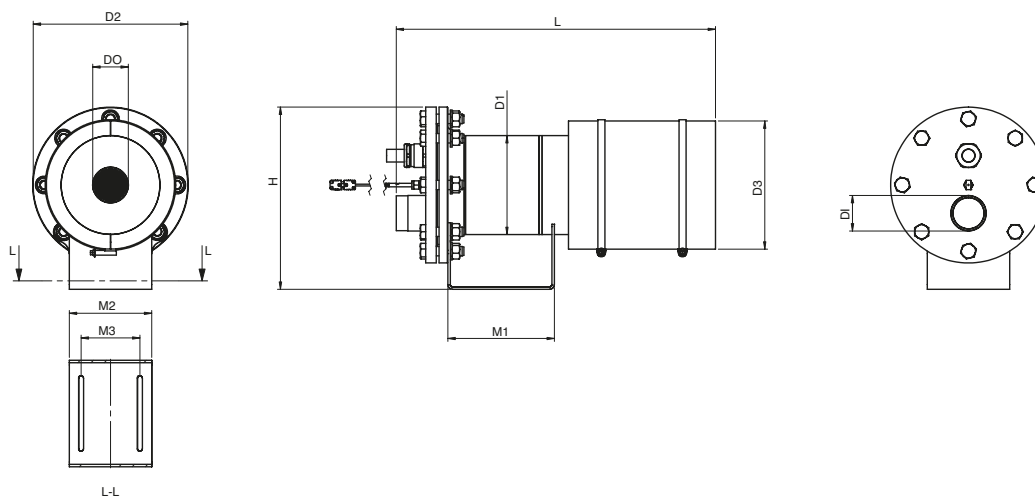


##### PRESSURE DROP IN CLEAN AIR



## ELECTRICAL DETAILS

Nominal Voltage supply	230 V	L+N
Nominal Line Current	15.2 A	
Nominal Power	3.5 kW	
Power Cable	3G2.5 mm <sup>2</sup>	2.5 m
Recommended Power Control	PID control with fast reaction parameter settings and thyristor switch	
Protection Class		1
Type of load	Ohmic	
Thermocouple	Type S miniature connector 2-pole	



## MECHANICAL DETAILS

	L	H	D1	D2	D3	M1	M2	M3
Dimensions	498 mm	170 mm	60.3 mm	140 mm	115 mm	102 mm	70 mm	50 mm
Flow Inlet	Ferrule tube fitting			D1 Ø12 mm				
Flow Outlet	3/4"			DO Ø26.67 mm				
Weight	7.2 kg							

## SPARE PARTS

DESCRIPTION	ARTICLE NUMBER
Insulation set with clamps	DFH400003
Nozzle Insulation	DFH400084